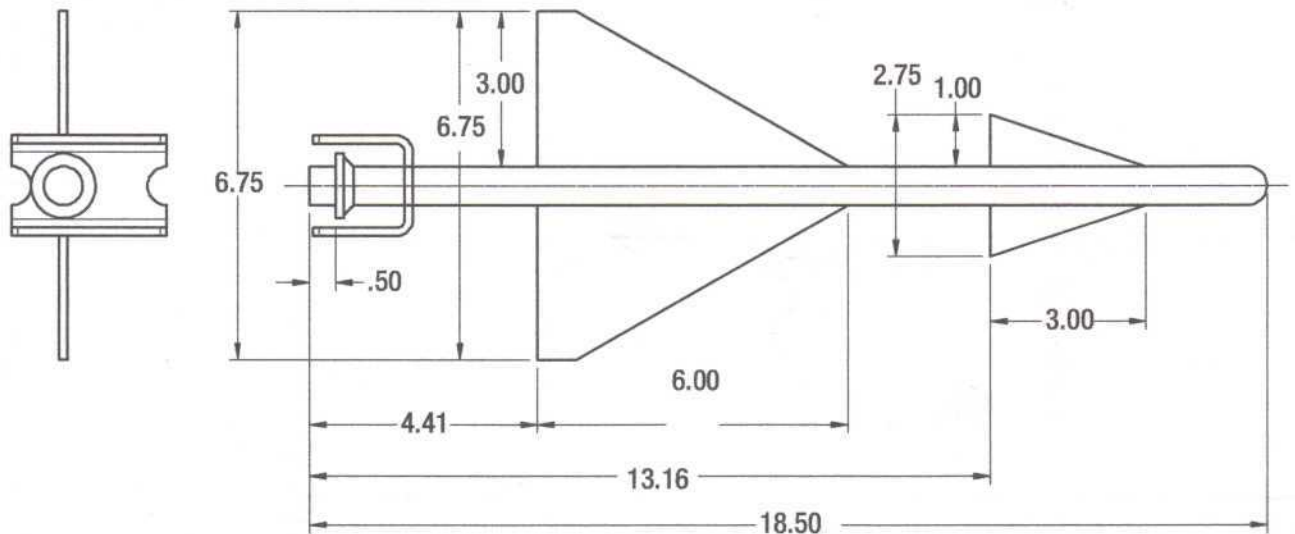
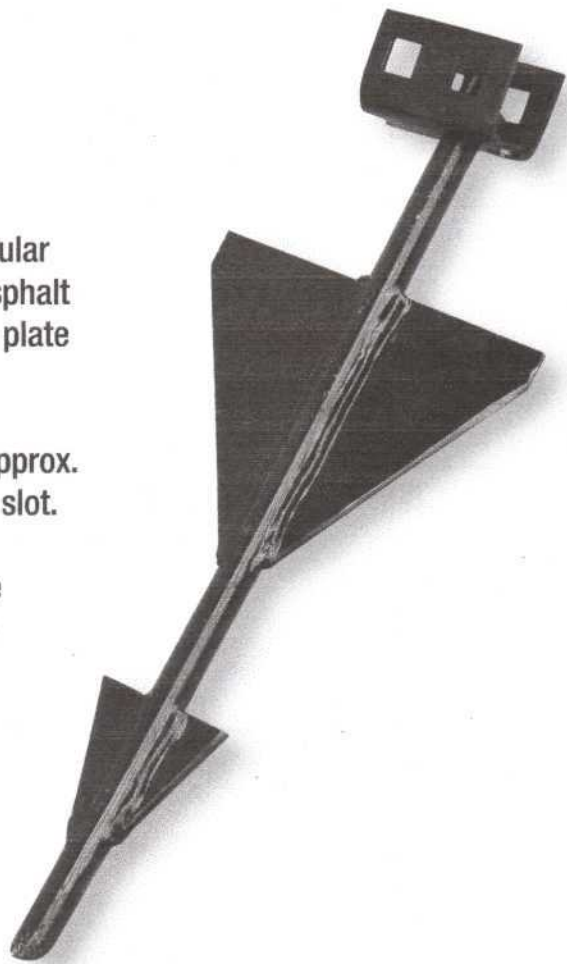


Asphalt Anchor Installation Instructions #59367

1. Using a masonry or cut off blade with a circular saw, cut a slot 8" long x 1 1/2" deep in the asphalt where the anchor is to be installed with the plate on the anchor parallel to the structure.
2. Using a 5/8" hammer drill, pre-drill a hole approx. 12" through the asphalt in the center of the slot.
3. Drive anchor into the asphalt using a sledge hammer or hammer drill until the top of the anchor plate is 1" under the asphalt.

For horizontal anchorage at a maximum of 50 degrees, not for vertical anchorage.



Instruction Sheet #08147

TIE DOWN ENGINEERING • 255 Villanova Drive SW • Atlanta, GA 30336
www.tiedown.com (404) 344-0000 Fax (404) 349-0401



050911, E1187