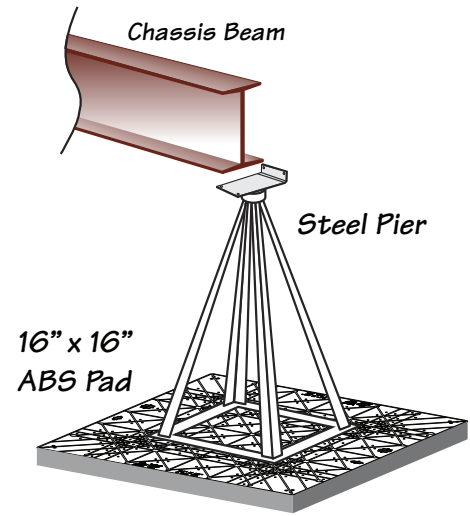
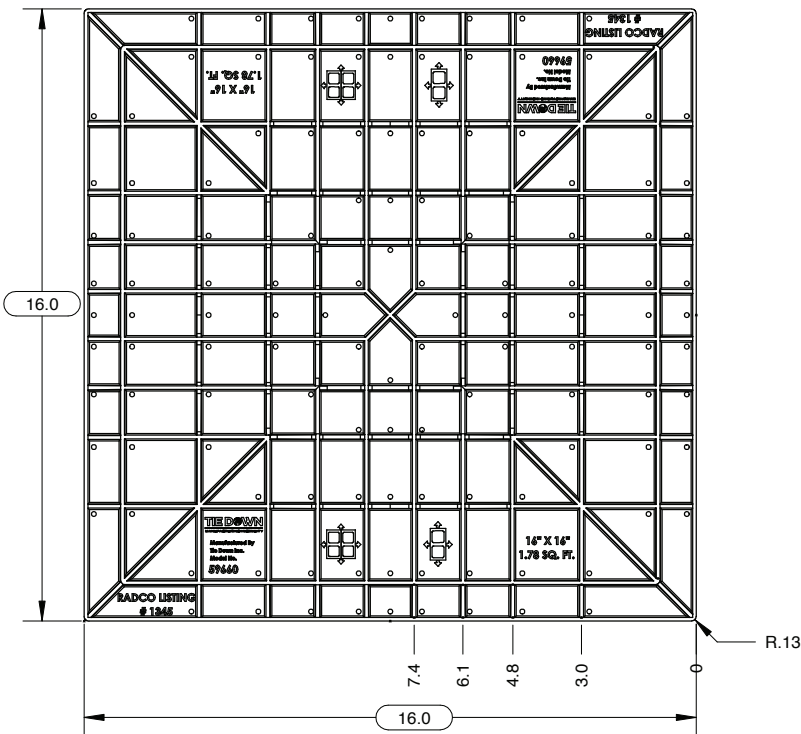


# TIE DOWN Inc.

## ABS Footing Pad #59660 - 16" x 16"



Attach pier to ABS Pad using  
(4) #14 x 2" SMS Screws.  
Check local requirements for  
proper pier top.

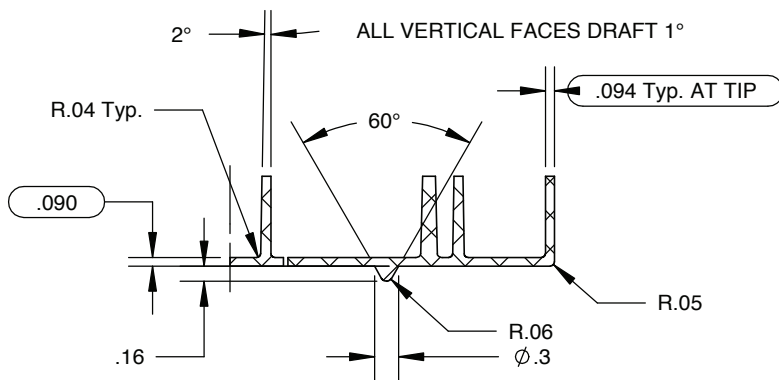
### 16" x 16"

The dimensions shown for injection  
mold process. Actual measured  
thicknesses after curing:

Outer Flange = 0.094"  
Bottom (base) = 0.090"  
Ribs (at base) = 0.094"

### Maximum Pier Loads Per Sq. Ft.

Pad Area (sq.ft.)	1000 psf soil	1500 psf soil	2000 psf soil
1.78	1778	2667	3556



### General Notes

- 1) 256 square inches = 1.78 square feet.
- 2) Flat side down.
- 3) Can be used with Steel Piers or Concrete Blocks.
- 4) Installer Responsible for determining bearing loads and capacities
- 5) **RADCO Listing #1345**  
Molded in Pad Base.

D1687 Rev. 10/14/19