

Coastal Industries Inc.

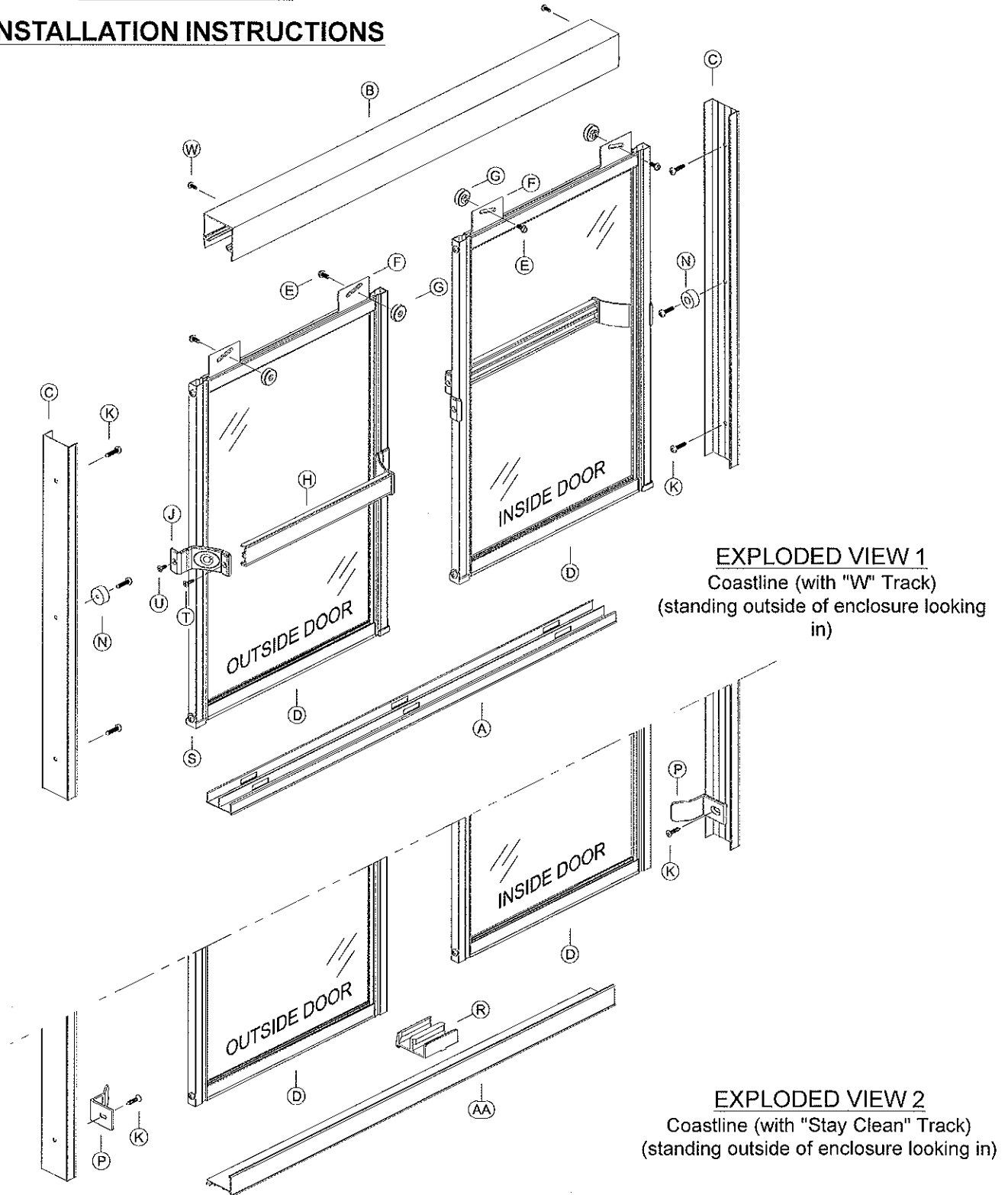
FAX NO.
(904) 641-1697

P.O BOX 16091
JACKSONVILLE FLORIDA 32245

TELEPHONE NO.
(904) 642-3970

Coastline

INSTALLATION INSTRUCTIONS



EXPLODED VIEW 1
Coastline (with "W" Track)
(standing outside of enclosure looking in)

EXPLODED VIEW 2
Coastline (with "Stay Clean" Track)
(standing outside of enclosure looking in)

PARTS LIST

KEY LETTER	PART NUMBER	DESCRIPTION	QUANTITY
A	90	SILL ("W" TRACK UNIT ONLY).....	1
AA	490	SILL (STAY CLEAN UNIT ONLY).....	1
B	53	HEADER.....	1
C	01	WALL JAMB.....	2
D	---	DOOR PANEL ASSEMBLY.....	2
E	832HEX	ROLLER SCREWS.....	4
F	234	HANGER BRACKET (INSTALLED).....	4
G	PN193	ROLLER	4
H	136	TOWEL BAR	2
J	CP545B	TOWEL BAR BRACKETS (NYLON)	4
K	8112	INSTALLATION SCREWS ("W" TRACK UNIT).....	6
		(STAY CLEAN UNIT).....	6
L	---	(designation not used).....	---
M	---	(designation not used).....	---
N	5168S	BUMPER.....	2
P	CP110A	JAMB GUIDE (STAY CLEAN UNIT ONLY).....	2
R	CP1102	TRACK GUIDE (STAY CLEAN UNIT ONLY).....	1
S	CP1105	NYLON GUIDE ("W" TRACK UNIT ONLY).....	4
T	612F	TOWELBAR SCREWS.....	4
U	638F	TOWEL BAR BRACKET SCREWS	4
V	---	COASTAL STICKER	4
W	812QPT	HEADERSCREW.....	2

TOOLS / MATERIALS NEEDED

HACKSAW	STANDARD SCREW DRIVER OR 1/4" WRENCH
ELECTRIC DRILL	LEVEL
* 1/8" STANDARD DRILL BIT	MEASURING TAPE
* 3/16" MASONRY DRILL BIT	HAMMER
PENCIL / FELT TIP PEN	CENTER PUNCH
SAFETY GLASSES	PHILLIPS SCREW DRIVER
MASKING TAPE	CLEAR CAULKING OR SEALANT (MILDEW RESISTANT)

* FOR CERAMIC TYPE WALL USE A 3/16" MASONRY BIT

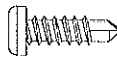
SCREW PROFILES (Shown full size for reference)



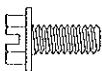
(T)...612F TOWEL BAR SCREW



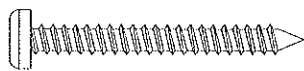
(U)...638F TOWEL BAR BRACKET SCREW



(W)...812QPT SELF DRILLING SCREW

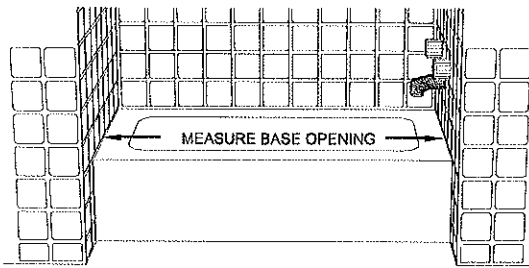


(E)...832HEX ROLLER SCREW



(K)...8112 INSTALLATION SCREW

STEP 1 Measure base opening & cut Sill



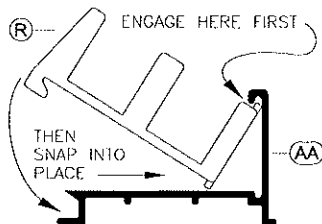
Measure the base opening along the center of the shower curb as shown in step 1. Using a hacksaw . . . cut the Sill (A) or (AA) to 1/4" less than the base opening.

("W" TRACK) _Position Sill (A) on the shower curb with drain holes to the interior, insuring that it is centered left to right and front to back.

(STAY CLEAN) _Position Sill (AA) on the shower curb with high lip to the exterior, insuring that it is centered left to right and front to back.

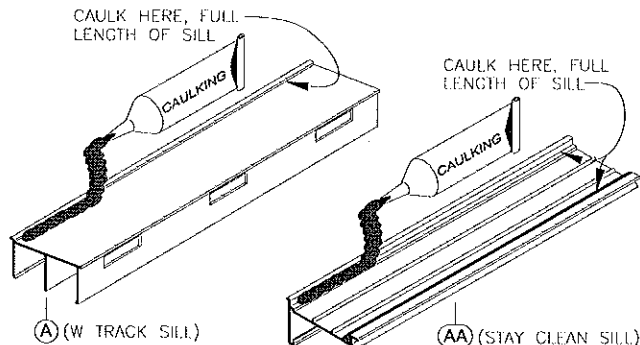
When satisfied that Sill is properly centered, tape Sill to curb and pencil mark it's position. Check to see that Sill has been cut to the proper length by temporarily placing Wall Jambs (C) at either end of Sill (as shown in step 4) and checking for proper fit. Remove Sill from curb.

STEP 2 Snap on Track Guide (Stay Clean units only)



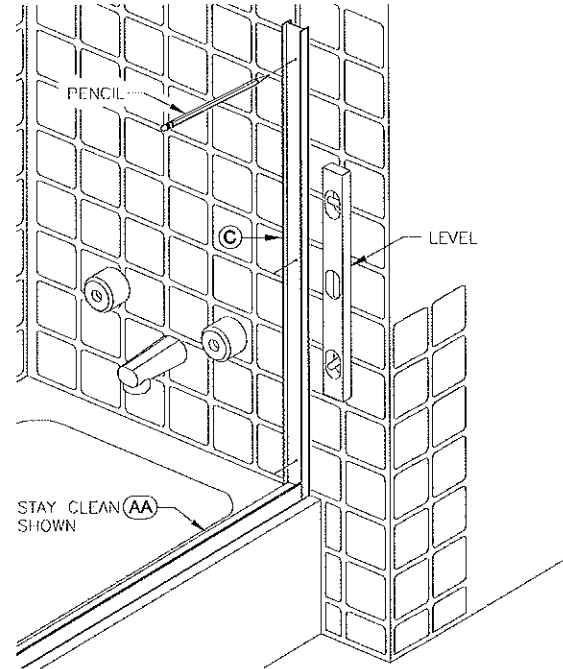
For proper operation, Track Guide (R) must be centered on Sill (AA). Measure the length of Sill (AA) and pencil mark the center. Remove tape cover from Track Guide. Now center the Track Guide (R) on the center mark and snap into place as shown in figure above.

STEP 3 Caulk Sill & reposition



Turn Sill over and apply a bead of caulking the full length of the Sill as shown in figure above. Apply enough to slightly overfill corners. Reposition Sill on shower curb in the exact location previously pencil marked in step 1. At this time the sill may be re-taped to the shower curb to help prevent movement while installing the wall jambs.

STEP 4 Installing Wall Jambs

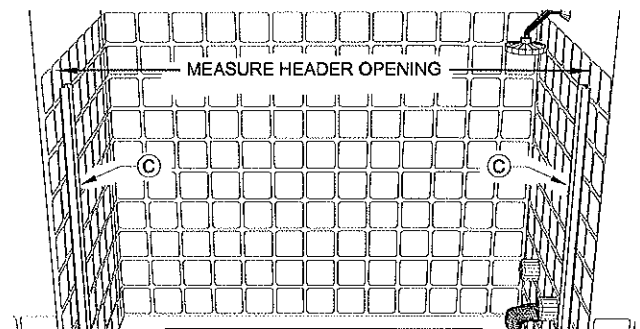


Position Wall Jambs (C) onto ends of Sill (A) or (AA) and up against shower walls. Use a level to plumb the Wall Jambs, then make a pencil mark on the shower walls thru each of the six(6) installation holes (*three per jamb*). Remove Wall Jambs and lightly center punch installation hole locations. Drill 1" deep installation holes. Use a 3/16" masonry bit (when drilling thru ceramic tile, marble or any masonry type surface) and insert plastic screw anchors (anchors not provided). Use a standard 1/8" drill bit for all other type surfaces (plastic screw anchors are not required when standard 1/8" drill bit is used).

("W" TRACK) _Reposition Wall Jambs as before and secure to shower walls using six (6) 8112 Installation Screws (K). Insure that both Jamb Bumpers (N) are secured to Wall Jambs using the center installation screw (*see front sheet - exploded view 1*).

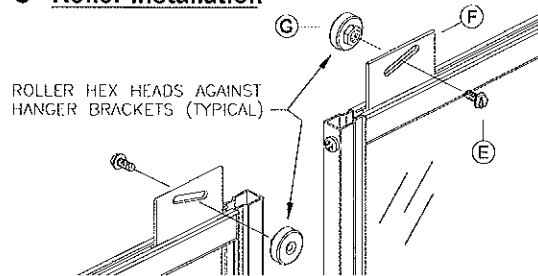
(STAY CLEAN) _Reposition Wall Jambs as before and secure to shower walls using six (6) 8112 Installation Screws (K). Insure that both Jamb Bumpers (N) and Jamb Guides (P) are secured to the Wall Jambs using the installation screws (*see front sheet - exploded view 1*).

STEP 5 Measure Header opening & cut Header



Measure the wall to wall opening at the top of the Wall Jambs (C) and cut Header (B) to 1/16" less than the measurement obtained. Position Header (B) on top of Wall Jambs (C) and secure it to the Wall Jambs using two 812QPT self drilling screws (W), *see exploded view also*.

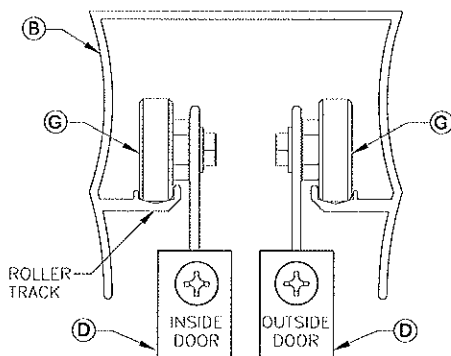
STEP 6 Roller installation



Before attaching Rollers (G) to Door Panels (D), insure that Door Panels are turned so that the rough side of Aquatex glass or the graphics side of etched glass (depending on model purchased), is facing toward outside of shower enclosure.

Using the exploded view above as a guide, attach Rollers (G) to Hanger Brackets (F) using a #832 Hex Head Screw (E). Note: protruding hex head on roller should always face hanger bracket (See detail above).

STEP 7 Door Panel Installation



Install the outside Door Panel (D) by Lifting Panel up and into the Header (B).

(“W” TRACK) Lower Panel into the bottom track Sill (A) and engage the Rollers (G) with the roller track.

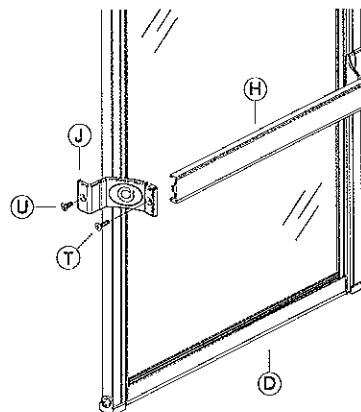
(STAY CLEAN) Lower Panel into the Track Guide (R) and engage the Rollers (G) with the roller track.

Slide outside Door Panel into Wall Jamb located on wall opposite of shower head. Check Panel to make sure that it is parallel to the Wall Jamb. If it is not, remove the Door Panel and adjust the rollers either up or down by loosening the Roller Screws and sliding the Rollers. When satisfied with outside Door Panel alignment, proceed with inside Door Panel installation.

When installed, slide inside Door Panel into Wall Jamb located on **shower head wall** and check for alignment with Wall Jamb. Adjust Rollers as necessary.

STEP 8 Towel Bar Installation

Towel Bars shall be installed on same side as the Rollers as shown in the exploded view 1 - front sheet.

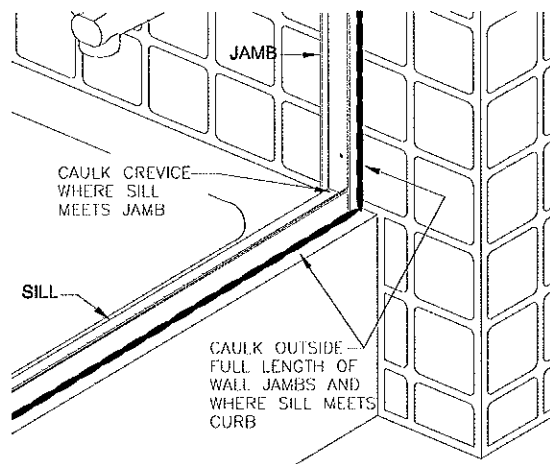


Loosely Attach the Towel Bar Brackets (J) to the Door Panel Assemblies (D) with the #6 x 3/8" Phillips Flat Head Screws (U) provided. Do not tighten screws at this time.

Attach the Towel Bars (H) to the Towel Bar Brackets (J) with the #6 x 1/2" Phillips Flat Head Screws (T) provided. Tighten all towel bar screws at this time. (do not . . . repeat . . . do not over tighten).

Remove backing from Coastal Stickers (V) and adhere to each of the four (4) Towel Bar Brackets.

STEP 9 Leak Proof Installation



To insure a leak proof installation . . . run a bead of clear mildew resistant caulking down the full length of each Wall Jamb, **outside** where the Jamb meets the wall (see figure). Now caulk **outside** where the Sill meets the curb (see figure).

Finally, caulk the crevice(s) where the Sill meets the Wall Jambs (see figure). Follow caulking manufacturer's instructions before using shower. Installation is now complete.

Note:

Never caulk the inside of the shower unit as this will cause your unit to be susceptible to water leaks.