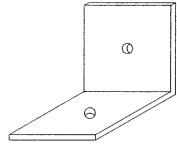


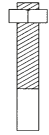
STYLECREST FIBERGLASS STEP ANCHORING INSTRUCTIONS

Concrete Installation

List of Components (Purchased Locally)



2 each
L-Brackets



2 each 1/4"
Concrete
Anchors

2 each 1/4" x 20 x 2 3/4" Bolts

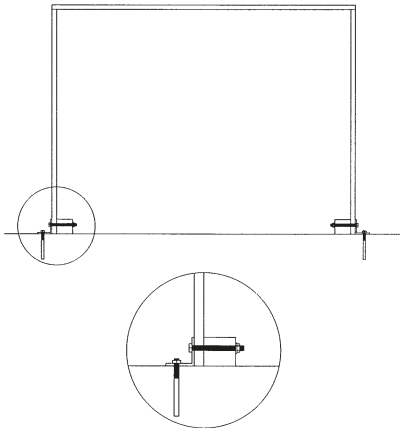
2 each 1/4" x 20 x 1 3/4" Bolts

4 each 1/4" Nuts

2 each 1/4" Washers

Installation Instructions

- 1) Drill 1/4" hole through step and bracket at desired position through lower wooden frame member.
- 2) Install L-brackets using 1/4" x 20 x 2 3/4" Bolts, washers, and nuts.
- 3) Mark location of hole in L-bracket on the concrete.
- 4) Move the step away from the house. Drill holes in concrete at the desired locations. Tap in 1/4" concrete anchors.
- 5) Replace step so that the tops of the concrete anchors protrude through the L-brackets. Secure with the nuts and washers.



Ground Installation

List of Components

(2) 484154 Anchor Assemblies

Each assembly includes:

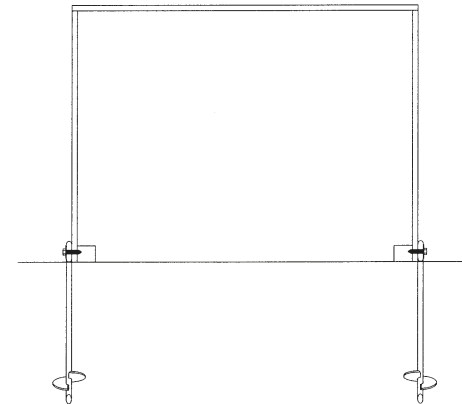
(1) 15 inch Anchor

(1) 3/8" x 1 1/2" lag screw

(1) 7/16" X 1 1/4" washer

Installation Instructions

- 1) Set step in desired position and mark the anchor placements on the ground. Remove step.
- 2) Screw the anchors in the ground so that the eye of the anchor will be in the position as shown.
- 3) Replace step and mark the place where the hole in the eye of the anchor meets the side of the step at the height of the lower frame member.
- 4) Fasten screw into lower frame member through eye of the anchor and washer.



WARNING: Failure to anchor the step properly can result in injury. Place the step against the house. Make sure the surface on which the step rests is level.