



INSTALLATION GUIDE



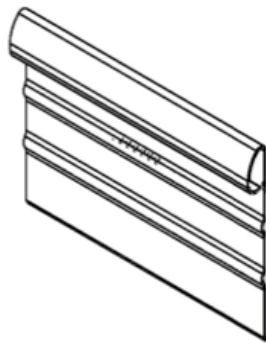
800.945.4440
WWW.STYLECRESTINC.COM



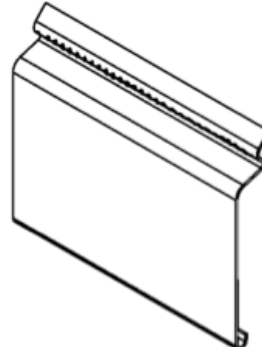
INSTALLATION GUIDE

INSTALLATION SUMMARY

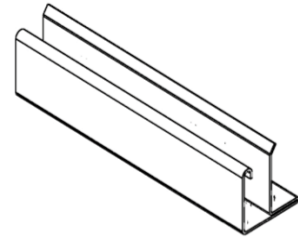
Your new Titan XTERIOR PRIME skirting comes in 12 foot long panels that can be trimmed to length and joined to form a premium skirting cover around your home.



TOP TRIM BACK

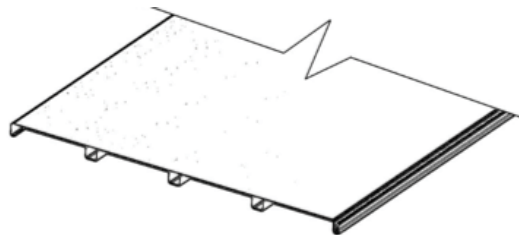


TOP TRIM FRONT

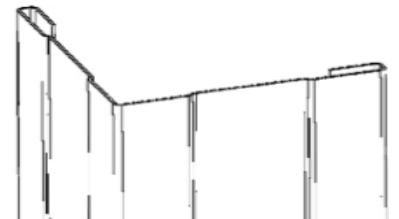


BOTTOM CHANNEL

The basic installation can be performed in a similar manner to traditional skirting using the same tools and the Style Crest® Titan XTERIOR PRIME vinyl rail system.



TITAN XTERIOR PRIME PANEL



OPTIONAL CORNER CAP

TOOLS YOU WILL NEED

ALL OPTIONS:
Hammer
Powered Screwdriver
Snips
Plumb Line or Level
Tape Measure
Power Saw with Fine Tooth Blade
Chalk Line
Utility Knife
Straight Edge or Carpenter's Square
Snap Lock Tool

FASTENERS YOU WILL NEED

FASTENER	PART NO.	USE
Ground Spikes	----	Staking Bottom Channel
Nails or Screws	----	Attaching Top Trim Back to Home

IMPORTANT NOTICE

1. It is best to use a power saw with a fine tooth blade mounted with reverse rotation to cut Titan XTERIOR PRIME panels. A pair of snips can be used to notch panels if required.
2. Always consult and follow your local building codes when installing any product to your home.

PERFORMING THE INSTALLATION

STEP 1

INSTALL THE BOTTOM CHANNEL

Use a level or plumb line to establish the location of the bottom channel. Locate the tall/backside of the bottom channel directly beneath the outside edge of the home where the top trim back component will be attached (*Figure 1*)

Attach the bottom channel directly to the ground through the pre-punched holes (*Figure 2*). Place ground spikes every 24 inches. Extra holes are provided for convenience. A punch may be used to set the last few inches of the spike. Leave a 1/2 inch gap between each section of bottom channel to allow for expansion. The bottom channel can be notched with snips (*Figure 3*) to form clean-looking corners.

Note: If installation occurs in areas prone to high wind or where ground is spongy or has not fully settled, it is recommended that the bottom channel be fastened to treated wooden stakes. If installation occurs on concrete, use 3/4 inch long masonry nail or a suitable adhesive in place of the ground spike.

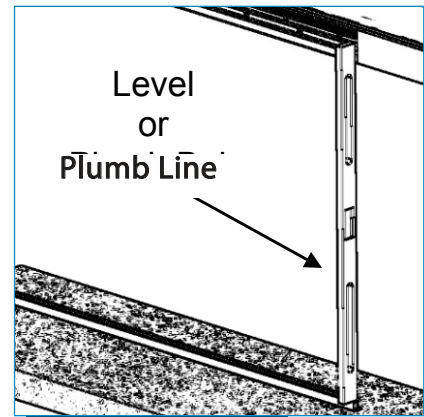


FIGURE 1

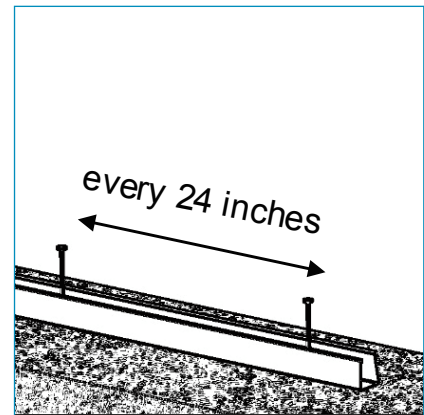


FIGURE 2

STEP 2

INSTALL THE TOP TRIM BACK

Locate where the top trim back will mount to your home. The bottom edge of the top trim back can extend below the bottom edge of your home if there is a solid support for nailing and a solid bearing for the top trim front piece against the side of the home.

Use a chalk line or other method to mark a guide line around the home. Attach the top trim back to your home by driving screws or nails in the middle of the slotted hole (*Figure 4*).

Leave a 1/16 inch gap between the screw head and the top trim back to allow it to expand and contract under normal conditions. The fasteners should drive 3/4 inch deep into the mounting surface.

Do not cut top trim back at corners – gently bend to desired angle using a table edge or similar surface as a guide. Cold weather installations may require vinyl to be warmed to room temperature to avoid cracking.

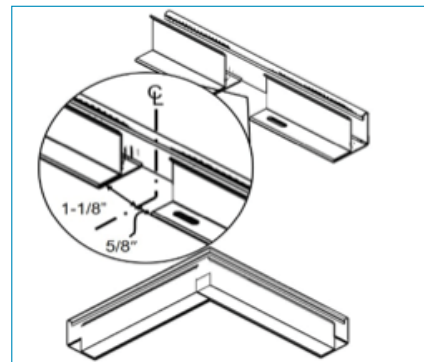


FIGURE 3

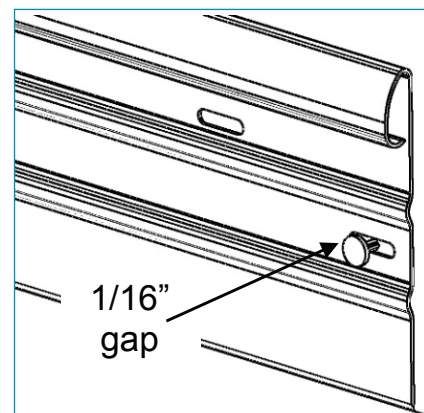


FIGURE 4

PERFORMING THE INSTALLATION

STEP 3

INSTALL THE TITAN XTERIOR PRIME PANEL & TOP TRIM FRONT

Cut the Titan panel to the correct height by measuring from the ground to one of the two ridges on the top trim back. Measure to the bottom ridge during warm weather installation and measure to the top ridge during cold weather installation (*Figure 5*).

Use a snap lock tool to punch locking tabs in the outside bottom of each panel (*Figure 6*). Like conventional skirting, this will allow the Titan panel to “lock” into the bottom channel. Next, lock several Titan panels together and place into the bottom channel (*Figure 7*). **WARNING: DO NOT** screw or nail to the home - it will cause them to bow and warp. Finally, snap the top trim front into place (*Figure 8*). Use the Corners Section of this guide to select a cornering method.

The top trim front accessory can be notched and hand bent to form corners as shown in (*Figures 9 and 10*).

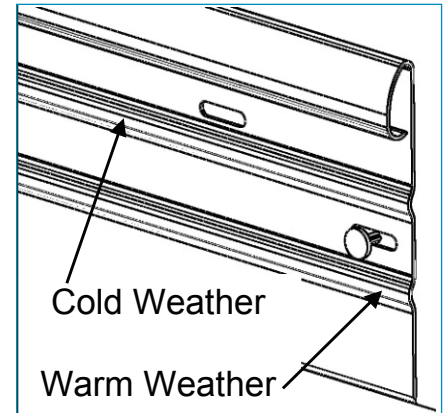


FIGURE 5

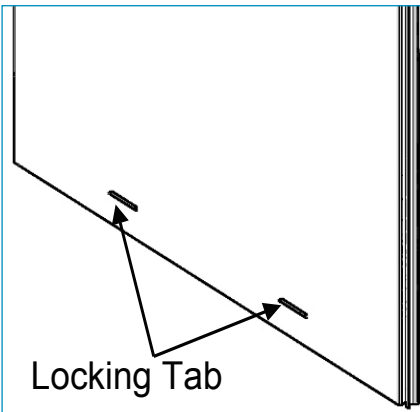


FIGURE 6

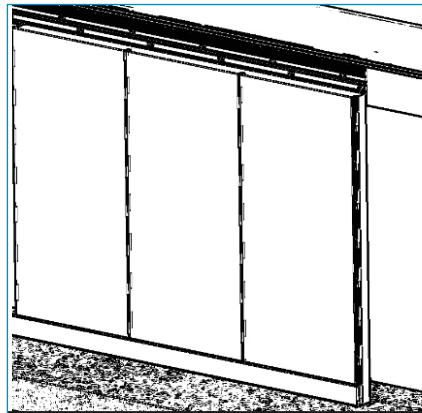


FIGURE 7

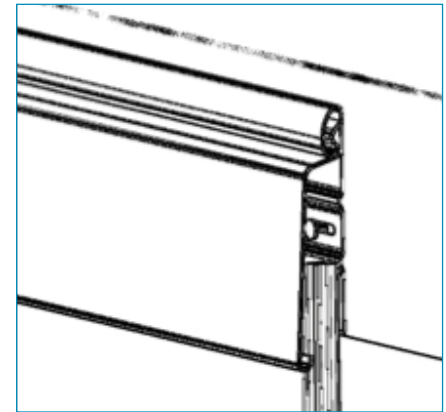


FIGURE 8

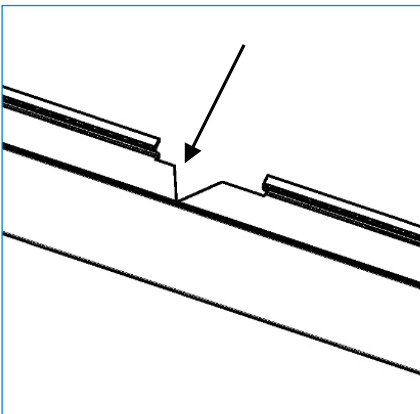


FIGURE 9

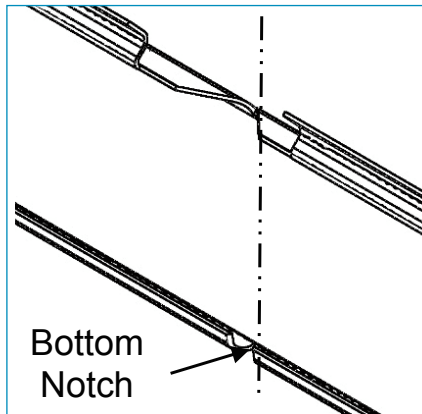


FIGURE 10

PERFORMING THE INSTALLATION

PANEL CORNERS

PREFERRED METHOD - CORNER CAP

The Titan corner cap system can be installed in two steps.

STEP 1

Cut each panel flush at the corner (*Figure 11*).

STEP 2

Place the cap over the corner ensuring that the ends are inside the top and bottom rails (*Figure 12*).

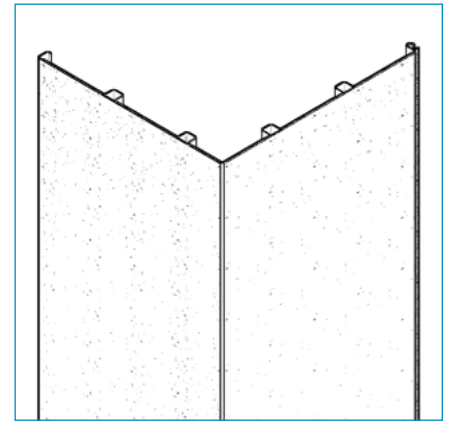


FIGURE 11

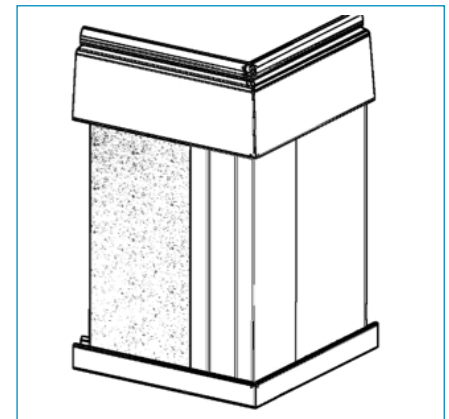


FIGURE 12

ALTERNATE METHOD - BENT PANEL

Forming a panel around a corner can be done in three steps.

STEP 1

Mark the corner bend location and cut the channels on each side of the location. (*Figure 13*).

STEP 2

Remove the backer and discard the removed section (*Figure 14*).

STEP 3

Bend the outer vinyl skin at the desired corner locations to form the seamless corner (*Figure 15*). **NOTE:** Very lightly scoring the back of the panel and/or using a table edge may aid in forming the corner.

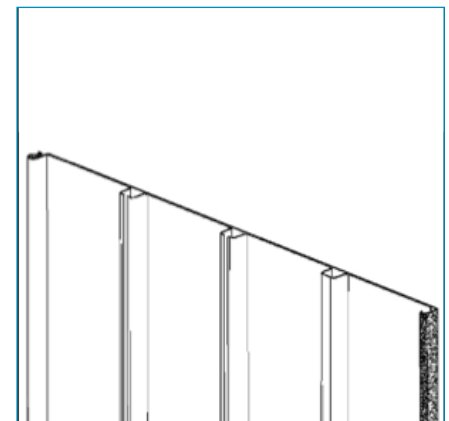


FIGURE 13

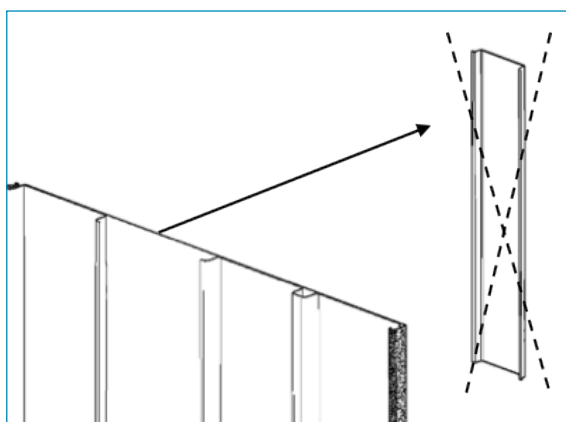


FIGURE 14

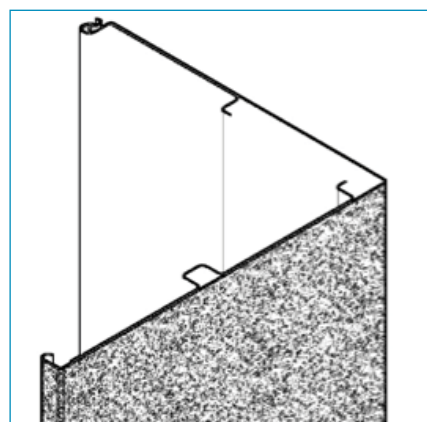


FIGURE 15

PERFORMING THE INSTALLATION

VENTILATION

Titan XTERIOR PRIME skirting provides a nearly air tight enclosure when installed by itself. The addition of the Style Crest® venting inserts can add required ventilation to your home's skirting.

The width of the vent insert is the same as a single Titan Prime panel, allowing the vent to be neatly installed using only square cut Titan panels.

STEP 1

Locate the vent height, then cut and install the bottom Titan Prime panel (*Figure 16*).

STEP 2

Cut and install the top Titan Prime panel (*Figure 17*).

STEP 3

Insert the vent and screw into place (*Figure 18*).

Please consult your local code to determine the correct amount of skirting ventilation required for your home.

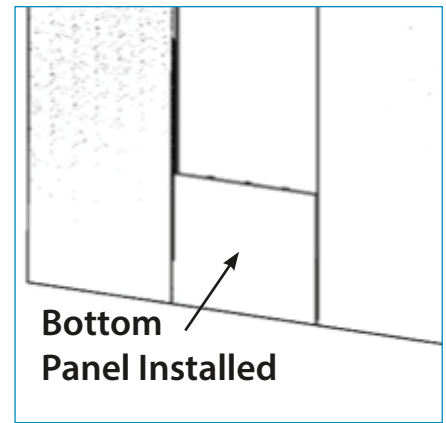


FIGURE 16

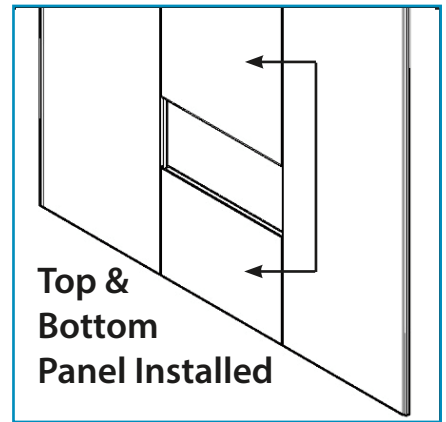


FIGURE 17

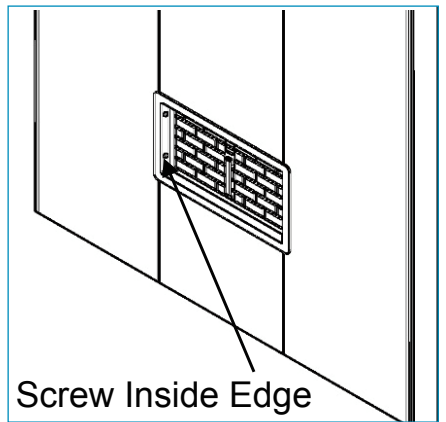


FIGURE 18

