

INSTALLATION INSTRUCTIONS

3500–5451 UPFLOW FILTER KIT

PACKAGE CONTENTS:

- Left Panel
- Right Panel
- Back Panel
- Support Angles (x2)
- Cover Plate
- Sheet Metal Screws (x14)
- Tie Down Strap

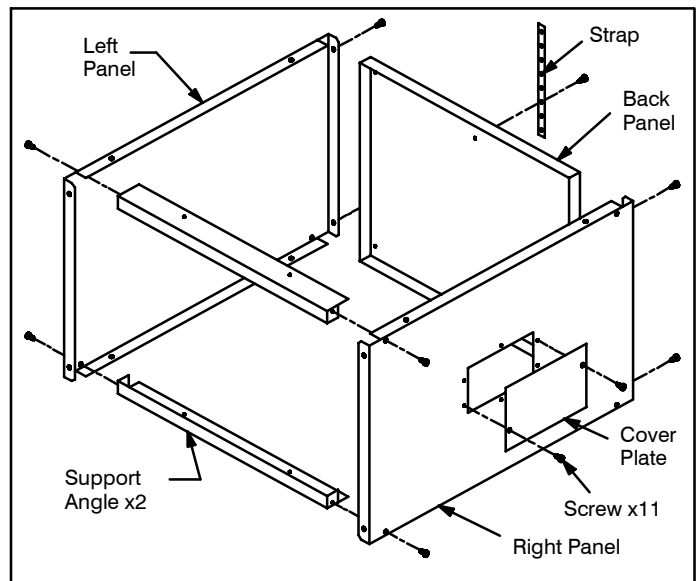


Figure 1 – Assembly of Filter Box

ASSEMBLY OF FILTER BOX

NOTE: Filter box assembly must be installed on the Electric Furnace prior to furnace installation

1. Assemble left, right and back panels with the four (4) screws provided as shown in Figure 1. Attach the support angles to the left and right panels with four (4) screws as shown in Figure 1.
2. Attach the tie down strap to the back panel of the assembled filter box with one (1) screw as shown in Figure 1.
3. If a Blend Air system is to be used, proceed to No. 4. Otherwise, attach the cover plate to the right side of the filter box using two (2) screws provided as shown in Figure 1.
4. The filter box is now ready to be attached to the Electric Furnace.

ATTACHING THE FILTER BOX TO THE ELECTRIC FURNACE

1. Prepare the Electric Furnace for upflow installation as described in the installation instructions (this will require upflow kit # 3500–7211).
2. With the Electric furnace in the *counterflow* position, attach the filter box to the Electric Furnace with two (2) screws as shown in Figure 2. If the Blend Air system is to be used, make sure that the opening in the side panel (used for Blend Air attachment) is located on the appropriate side.
3. Attach the tie down strap to the electric furnace back with one (1) screw as shown in Figure 2.
4. If a Blend Air system is to be used, refer to the installation instructions provided with kit# 3500–5461 "Blend Air/Upflow Transition Box". Otherwise, proceed to Step 5.
5. The Electric Furnace is now ready to be installed in a closet.

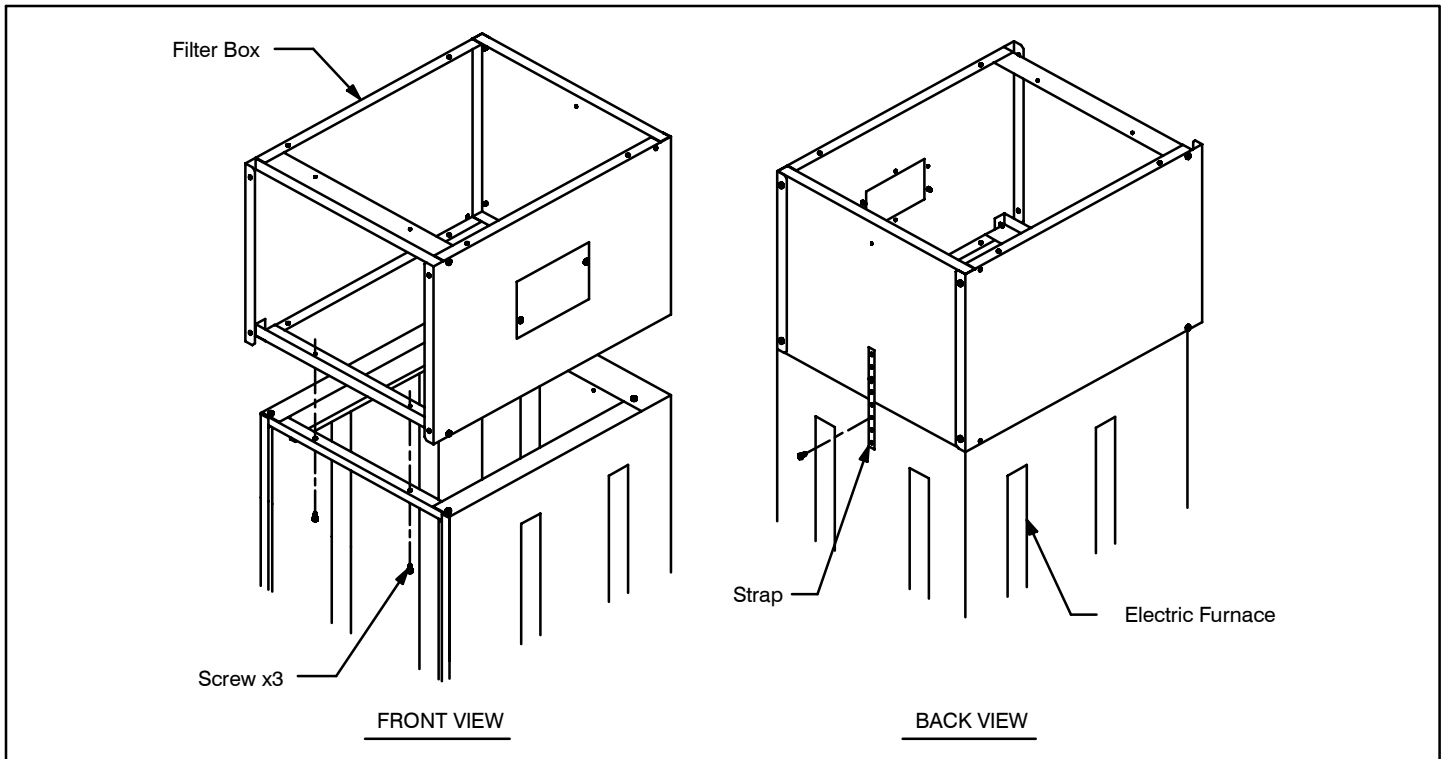


Figure 2 – Attachment of Filter Box to Electric Furnace

INSTALLING THE ELECTRIC FURNACE IN A CLOSET

1. Refer to the installation instructions supplied with the Electric Furnace. The filter box/furnace assembly must be secured to the floor with four (4) screws (field supplied). Holes required for this purpose are supplied in bottom of the filter box.

2. The 16"x20" filter provided with the Electric Furnace can be used in the filter box.